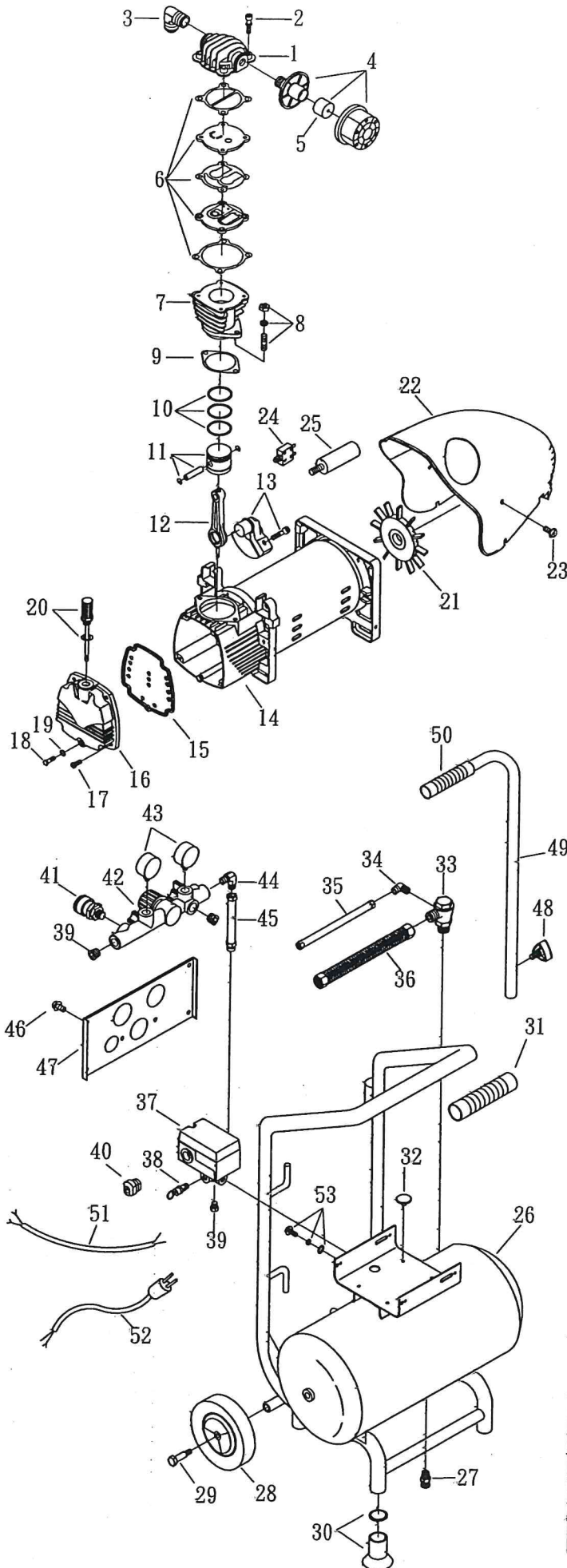


SPARE PARTS LIST



| REF. NO. | DESCRIPTION              | PART NO.        | QTY. |
|----------|--------------------------|-----------------|------|
| 1        | Cylinder head            | 3101061         | 1    |
| 2        | Allen bolt set           | 3B01-M06*040V   | 4    |
| 3        | Exhaust elbow            | 2N06-03T03H     | 1    |
| 4        | Air filter               | 2140023A        | 1    |
| 5        | Filter element           | 2142004         | 1    |
| 6        | In. & Ex. valve assembly | 3B13-K5047      | 1    |
| 7        | Cylinder                 | 3201066         | 1    |
| 8        | Double head screw set    | 3B11-008-A      | 2    |
| 9        | Cylinder gasket          | 2G04-015        | 1    |
| 10       | Piston ring set          | 3B32-47N        | 1    |
| 11       | Piston set               | 3B31-47         | 1    |
| 12       | Rod                      | 2315055X        | 1    |
| 13       | Crankshaft & balancer    | 3304081         | 1    |
| 14       | Motor set                | 3B8-ND2006      | 1    |
| 15       | Front cover gasket       | 2G07-010A       | 1    |
| 16       | Front cover              | 3309024         | 1    |
| 17       | Bolt                     | 2B02-FM6*015    | 4    |
| 18       | Bolt                     | 2B02-FM6*035    | 1    |
| 19       | O-ring                   | 2N52-P06        | 1    |
| 20       | Dipstick set             | 2339008A        | 1    |
| 21       | Cooling fan              | 2336037-2       | 1    |
| 22       | Shroud                   | 2428014         | 1    |
| 23       | Bolt                     | 2B02-FM5*010WB  | 2    |
| 24       | Circuit breaker          | 2E25-10A        | 1    |
| 25       | Running capacitor        | 2E27-025F450VS  | 1    |
| 26       | Air tank                 | 3401C029        | 1    |
| 27       | Drain valve              | 2405012         | 1    |
| 28       | Tank wheel               | 2402015         | 2    |
| 29       | Tank wheel bolt          | 2418001         | 2    |
| 30       | Rubber pad set           | 2433006A        | 2    |
| 31       | Rubber grip              | 2432102         | 1    |
| 32       | Feet block               | 2439016         | 4    |
| 33       | Check valve              | 2414036X        | 1    |
| 34       | Unloading tube           | 2N06-01T02H     | 1    |
| 35       | Unloading tube set       | 3B2-02*170F     | 1    |
| 36       | Exhaust tube set         | 3B2-03*420      | 1    |
| 37       | Pressure switch          | 2E21-BA266AB    | 1    |
| 38       | Pressure relief valve    | 2406018CE       | 1    |
| 39       | Plug                     | 2B14-ST02E      | 3    |
| 40       | Strain relief bushing    | 2E04-010        | 3    |
| 41       | Quick coupler            | 07S1/4M-E       | 1    |
| 42       | Exhaust manifold         | 2408012         | 1    |
| 43       | Pressure gauge           | 2D12-15V15KS    | 2    |
| 44       | Elbow                    | 2N06-02T02S     | 1    |
| 45       | Tube                     | 2T06-026        | 1    |
| 46       | Bolt                     | 2B02-FM5*010WB  | 6    |
| 47       | Panel                    | 3420072         | 1    |
| 48       | Bolt                     | 2B44-FM08*018   | 1    |
| 49       | Grip                     | 3432072         | 1    |
| 50       | Rubber grip              | 3432004         | 1    |
| 51       | Cable                    | 2E02-2C30502Y2T | 1    |
| 52       | Power cable              | 2E01-029        | 1    |
| 53       | Hexagon bolt set         | 3B00-SM06*020VW | 4    |