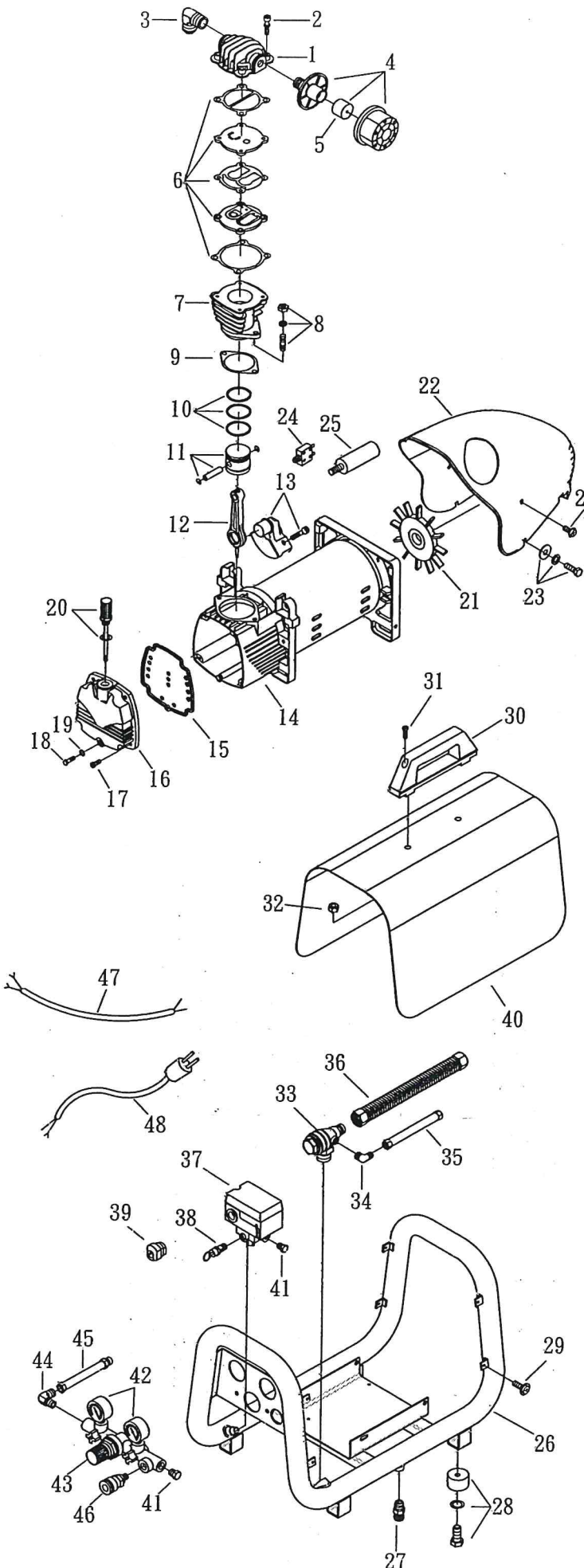


MODEL : PC1252

SPARE PARTS LIST

NO : RLB-1004



REF. NO.	DESCRIPTION	PART NO.	QTY.
1	Cylinder head	3101061	1
2	Allen bolt set	3B01-M06*040V	4
3	Exhaust elbow	2N06-03T03H	1
4	Air filter	2140023A	1
5	Filter element	2142004	1
6	In. & Ex. valve assembly	3B13-K5047	1
7	Cylinder	3201066	1
8	Double head screw set	3B11-008-A	2
9	Cylinder gasket	2G04-015	1
10	Piston ring set	3B32-47N	1
11	Piston set	3B31-47	1
12	Rod	2315055X	1
13	Crankshaft & balancer	3304081	1
14	Motor set	3B8-ND2006	1
15	Front cover gasket	2G07-010A	1
16	Front cover	3309024	1
17	Bolt	2B02-FM6*015	4
18	Bolt	2B02-FM6*035	1
19	O-ring	2N52-P06	1
20	Dipstick set	2339008A	1
21	Cooling fan	2336037-2	1
22	Shroud	2428014	1
23	Bolt	3B00-SM06*020VW	4
24	Circuit breaker	2E25-10A	1
25	Running capacitor	2E27-025F450VS	1
26	Air tank	3401735	1
27	Drain valve	2405012	2
28	Rubber pad set	2433011A	4
29	Bolt	2B02-FM5*010WB	12
30	Grip	3432005	1
31	Allen bolt	2B01-M06*025	2
32	U-nut	2B21-FM06	2
33	Check valve	2414036RX	1
34	Unloading tube	2N06-01T02H	1
35	Unloading tube set	3B2-02*170F	1
36	Exhaust tube set	3B2-03*510N	1
37	Pressure switch	2E21-BA266AB	1
38	Pressure relief valve	2406018CE	1
39	Strain relief bushing	2E04-010	3
40	Shroud	3420069	1
41	Plug	2B14-ST02E	3
42	Pressure gauge	2D12-15V15KS	2
43	Exhaust manifold	2408012	1
44	Elbow	2N06-02T02S	1
45	Tube	2T06-030	1
46	Quick coupler	07S1/4M-E	1
47	Cable	2E02-2C30602Y2T	1
48	Power cable	2E01-029	1